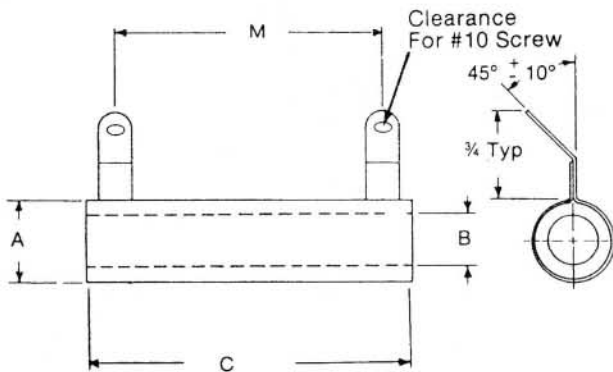
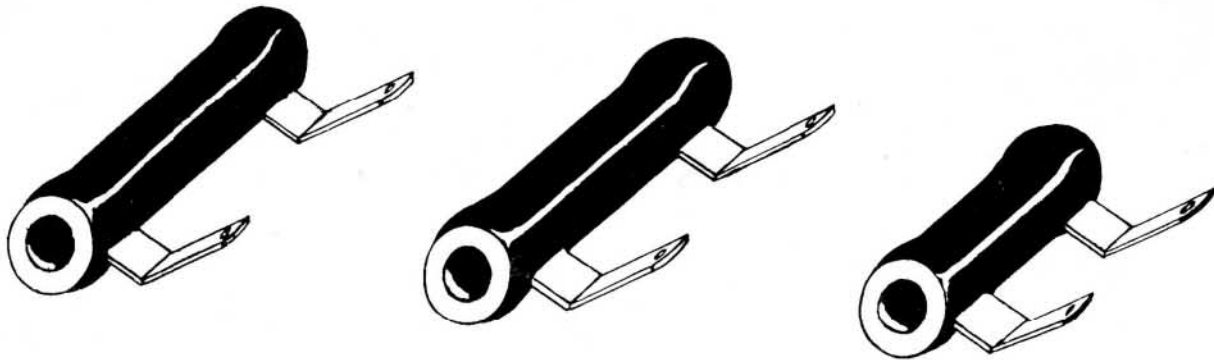


CMV, CMS

VITREOUS or SILICONE

16 WATTS thru 22 WATTS



TYPE	WATTS	CORE			
		A	B	C	M
CMV-16	16	9/16	5/16	1 1/4	7/8
CMS-16					
CMV-20	20	9/16	5/16	1 3/4	1 1/8
CMS-20					
CMV-22	22	9/16	5/16	1 3/4	1 1/4
CMS-22					

**NOTE:** The above chart applies to both vitreous and silicone coated resistors.  
 EXAMPLE: CMV = VITREOUS CMS = SILICONE

### GENERAL INFORMATION

The unique design of this resistor permits mounting directly onto the terminal studs of three popular sizes of capacitors without additional lead forming or adding additional terminals to the resistor leads.

The terminals are preformed so that the resistor when mounted will not rest on the top of the capacitor.

Extra long terminals keep damaging heat away from the capacitor terminal posts.

Parts are available with either vitreous enamel or silicone coating.

Standard tolerance is ±5% for 1 Ohm and Up, ±10% Below 1 Ohm.

### ORDERING INFORMATION

CMS - 16 - 250 - 5% - NI

TYPE  
 V = VITREOUS  
 S = SILICONE

RESISTANCE  
 VALUE

ADD FOR  
 SPECIAL  
 TOLERANCE

ADD FOR  
 NON  
 INDUCTIVE



**MOUNTING IS:**

- ✓ Quick
- ✓ Secure
- ✓ Neat

16 WATTS thru 22 WATTS



**ELIMINATES:**

Poor Connections due to improperly applied round wire.



**ELIMINATES:**

Costly secondary operations to add ring terminals.

**ENGINEERING DATA AND SPECIFICATIONS**

CORE: Steatite ceramic

DERATING: Wattage rating is based on 25° C free air rating. For higher ambient temperatures, use chart below.

TERMINALS: Terminals are supplied pre-formed with a 45° bend to insure ample clearance from the resistor body to the capacitor can. Terminals are made of a special corrosion resistant material and solder dipped.

COATING: Available in vitreous enamel or silicone. (See ordering information.)

MOUNTING: These resistors are designed to be mounted by their terminals. However, push-in, friction-grip mounting brackets and horizontal or vertical thru-bolt mounting is available for special applications. (Contact factory.)

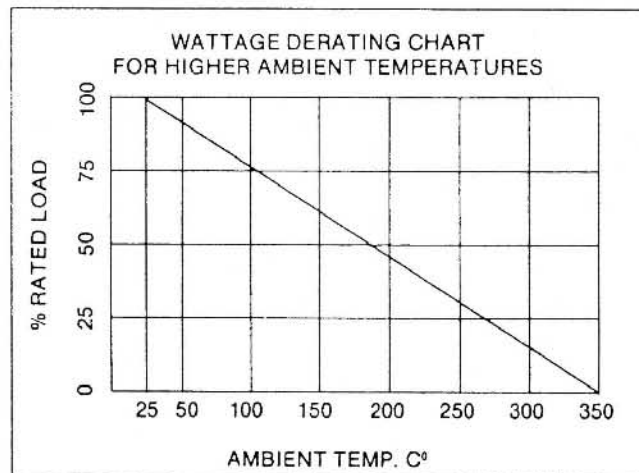
TEMPERATURE COEFFICIENT: 0±400 ppm/°C 1 Ohm to 20 Ohms 0±260 ppm/°C 20 Ohms or above. (Special TC's available. Consult factory.)

DIELECTRIC WITHSTANDING VOLTAGE: N/A

INDUCTANCE: Standard parts have single layer inductive windings. Ayrton-Perry type non-inductive winding is available. (See ordering information.)

OVERLOAD: 10x rated wattage for 5 seconds.

TOLERANCE: ±5% for 1 Ohm and above. ±10% for less than 1 Ohm. Special tolerances are available. (See ordering information.)



APPLICATION CHART		
CAPACITOR CAN SIZE	TERMINAL C/C DIMENSION	USE
2" DIA.	7/8	CMV-16
		CMS-16
2 1/2" DIA.	1 1/8	CMV-20
		CMS-20
3" DIA.	1 1/4	CMV-22
		CMS-22