



C4K Series

Features

- Miniature size - 3.8mm x 4.6mm
- Eleven different types/configurations
- Available on tape & reel

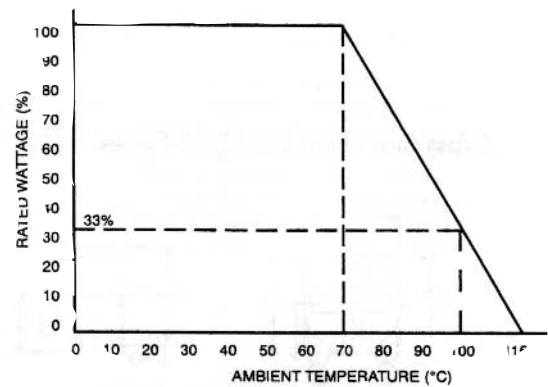
Physical Characteristics

- Rotational angle: $270^\circ \pm 20^\circ$
- Single turn
- Setting torque: 20 to 200 gm/cm
- Terminal strength: >500 gms
- End stop: None

Specifications

- Resistance values (ohms): 100 to 1 meg.
100, 150, 220, 330, 470, 680
1K, 1.5K, 2.2K, 3.3K, 4.7K, 5.0K, 6.8K
10K, 15K, 22K, 33K, 47K, 50K, 68K
100K, 150K, 220K, 330K, 470K, 500K, 680K
1M
- Standard tolerance: $\pm 30\%$
- Standard taper: (B) linear
- Residual resistance: ≤ 10 - 100 to 1000 , inc.;
 $\leq 1\%$ of nominal > 1000
- Power rating: 0.2 watts at 70°C
- Maximum working voltage: 100 volts
- Operating temperature range: -30°C to +100°C
- Temperature coefficient: $\pm 250\text{ppm}/^\circ\text{C}$

DERATING CURVE



RATINGS

Part Designation	Power Rating @70°C	T.C.R. /°C	Resistance Change Characteristics	Resistance Range E-6	Resistance Tolerance	Absolute Maximum Working Voltage	Operating Temperature Range	Operation Torque
All styles except C4K C4315	0.2W	±250ppm	B (Linear)	100 - 1M	±30%	100V	-30°C ~ +100°C	20 ~ 200 gm/cm
C4K C4315	0.1W				±25%	50V		

Part Numbering system

C4K

4314

TE

102

Series

Type	
4202	4303
4204	4304
4212	4312
4214	4314
4222	4322
	4315

Packaging	
Code	Details
B	Bulk (1000 pcs.)
TE	Tape & Reel (plastic reel)
All styles except C4K 4315 750 pcs/reel C4K 4315 500 pcs/reel	

Nominal Resistance
2 significant figures & 1 multiplier



C4K Series

LEADFREE
RoHS Compliant

MECHANICAL SPECIFICATIONS

Type	Open Flame	Type	Open Flame	Type	Open Flame (Bottom adjustable)
4202		4212		4222	
4204		4214		4322	
4302		4312		Type Epoxy Molded	
4304		4314		4315	

EQUIVALENT CIRCUIT

C4312, C4302, C4314,
C4304, C4322, C4315

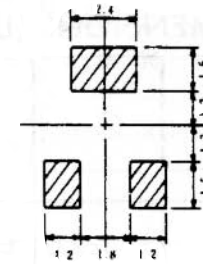


C4212, C4202, C4214,
C4204, C4222

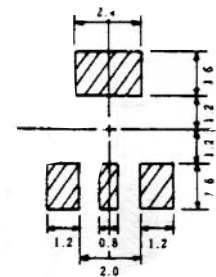


RECOMMENDED PADS

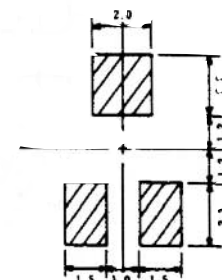
C4202, C4212, C4204,
C4214, C4304, C4314,
C4222



C4302, C4312, C4322



C4315



Parameter	Limits	Condition
High Temperature Exposure	±0.5%	240±8 hours at 100±3°C - no load
Rotational Life	±5%	100±2 slider cycles over 90% of the effective rotation angle at 6 seconds per turn & return - no load.
Moisture / Load	±2%	Rated voltage, 1.5 hrs. ON - .5 hrs. OFF for 350±10 hours at 40±2°C, 90-95% RH.
Load Life	±1%	Rated voltage, 1.5 hrs. ON - .5 hrs. OFF for 1000±12 hours at 70±2°C, condition at 70°C for 8 hours to initialize
Temperature Cycling	±0.5%	5 cycles - .5 hrs. at -30°C±3°C, .25 hrs. at 25°C±2°C, .5 hrs. at 100°C±3°C, .25 hrs. at 25°C±2°C,
Effect of Solder Heat	±1.5%	5±1 seconds immersion of terminals in Sn 63 solder at 250°C±5°C
Insulation Resistance	1x10 ⁴ Megohm min.	Charge at 500 volts
Dielectric Strength	500 vac. min.	1 minute



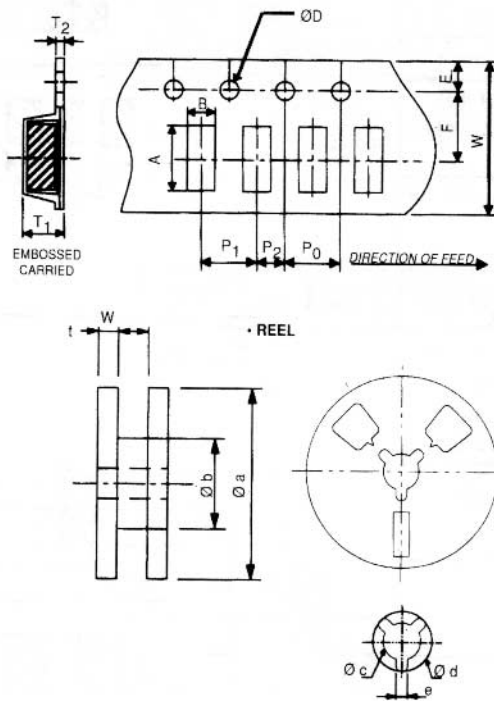
PACKAGING SPECIFICATIONS (Units: mm)

Part	A	B	W	E	F	T1	T2	P0	P1	P2	ØD
All styles except C4K C4315	5.0±0.2	4.3±0.2	12.0±0.3	1.75±0.1	5.5±0.1	2.7±0.2	0.3±0.1	4.0±0.1	8.0±0.1	2.0±0.05	1.5 ^{+0.15} _{-0.05}
C4K C4315	5.0±0.2	4.3±0.2	12.0±0.3	1.75±0.1	5.5±0.1	3.0±0.2	0.3±0.1	4.0±0.1	8.0±0.1	2.0±0.05	1.5 ^{+0.15} _{-0.05}

REEL DIMENSIONS (Units: mm)

Part	Øa	Øb	W	t	Øc	Ød	e
C4K	178±2.0	60±2.0	14±1.5	1.5±0.5	13±0.5	21±2.0	2.0 ^{+0.5} ₀

Embossed Plastic Carrier



MEGASTAR-OHM surface mount tape & reel packaging complies with EIA STD. 481-1.