

# THICK FILM CHIP RESISTORS

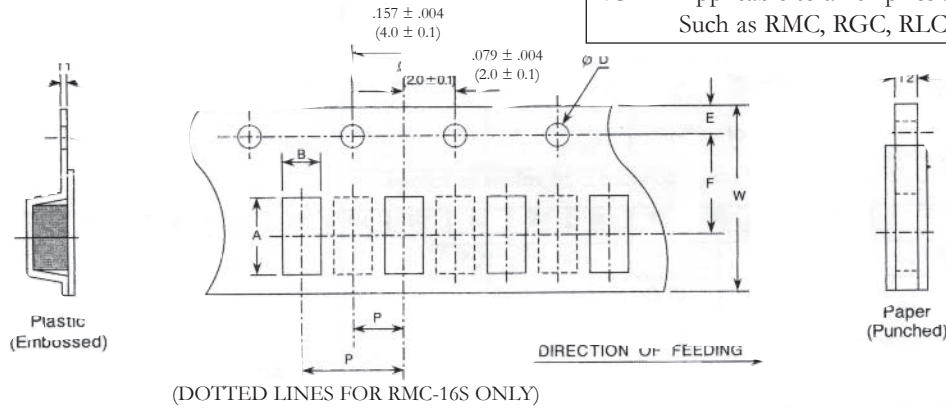


RMC 16S, 16, 10, 18, 14, 12, 01

**LEADFREE**  
RoHS Compliant

## TAPE & REEL SPECIFICATIONS

NOTE: Applicable to all chip resistors with the same case size.  
Such as RMC, RGC, RLC, HMC, RNC, FCR, LTC and CRF.



Unit: in (mm)

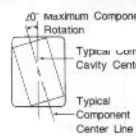
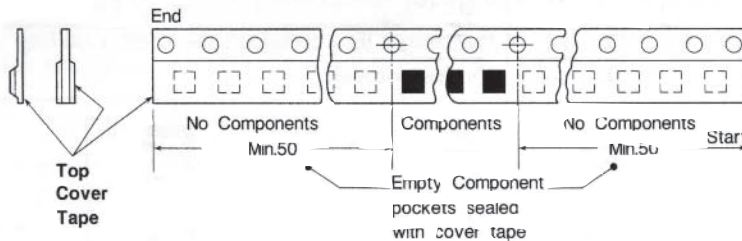
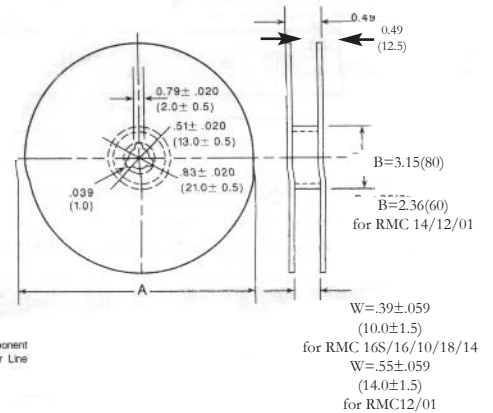
Dimension	A	B	W	E	F	T1	T2	P	D
RMC16S (0402)	.045±.004 (1.15±.1)	.026±.004 (.65±.1)	.315±.008 (8.0±.2)	.069±.004 (1.75±.1)	.138±.002 (3.5±.05)	—	.018±.004 (.45±.1)	.079±.004 (2.0±.1)	.059±.004/-0 (1.5±.1/-0)
RMC16 (0603)	.075±.004 (1.9±.1)	.043±.004 (1.1±.1)	.315±.008 (8.0±.2)	.069±.004 (1.75±.1)	.138±.002 (3.5±.05)	—	.024±.004 (.60±.1)	.157±.004 (4.0±.1)	.059±.004/-0 (1.5±.1/-0)
RMC10 (0805)	.094±.004 (2.4±.1)	.065±.004 (1.65±.1)	.315±.008 (8.0±.2)	.069±.004 (1.75±.1)	.138±.002 (3.5±.05)	.01±.002 (.25±.05)	.030±.004 (.75±.1)	.157±.004 (4.0±.1)	.059±.004/-0 (1.5±.1/-0)
RMC18 (1206)	.138±.004 (3.5±.1)	.075±.004 (1.9±.1)	.315±.008 (8.0±.2)	.069±.004 (1.75±.1)	.138±.002 (3.5±.05)	.01±.002 (.25±.05)	.030±.004 (.75±.1)	.157±.004 (4.0±.1)	.059±.004/-0 (1.5±.1/-0)
RMC14 (1210)	.138±.004 (3.5±.1)	.11±.004 (2.8±.1)	.315±.004 (8.0±.1)	.069±.004 (1.75±.1)	.138±.002 (3.5±.05)	.008±.002 (.2±.05)	.030±.004 (.75±.1)	.157±.004 (4.0±.1)	.059±.004/-0 (1.5±.1/-0)
RMC12 (2010)	.220±.008 (5.6±.2)	.11±.008 (2.8±.2)	.472±.004 (12.0±.1)	.069±.004 (1.75±.1)	.217±.002 (5.5±.05)	.008±.002 (.2±.05)	—	.157±.004 (4.0±.1)	.059±.004/-0 (1.5±.1/-0)
RMC01 (2512)	.264±.008 (6.7±.2)	.142±.008 (3.6±.2)	.472±.004 (12.0±.1)	.069±.004 (1.75±.1)	.217±.002 (5.5±.05)	.008±.002 (.2±.05)	—	.315±.004 (8.0±.1)	.059±.004/-0 (1.5±.1/-0)

\*NOTE: Dimensions are reference only.

## Reel Dimensions

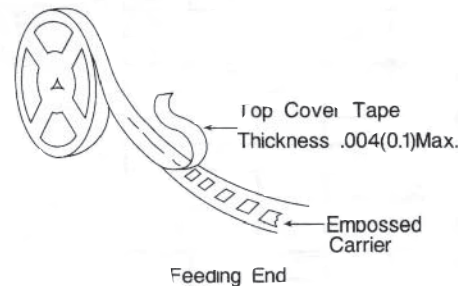
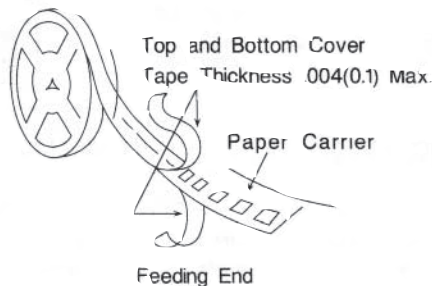
A (Max.)	Component/Reel			
	Paper		Plastic	
	RMC-16S	RMC-16/10/18/14	RMC-10/18/14/12	RMC-01
7"(178mm)	10,000	5,000	4,000	2,000
10"(254mm)	20,000	10,000	—	—
13"(330mm)	40,000	20,000	—	—

Unit: in (mm)



## Paper Carrier (T)

## Embossed Plastic Carrier (TE)



MEGASTAR-OHM surface mount tape and reel packaging complies with EIA STD. 481.