



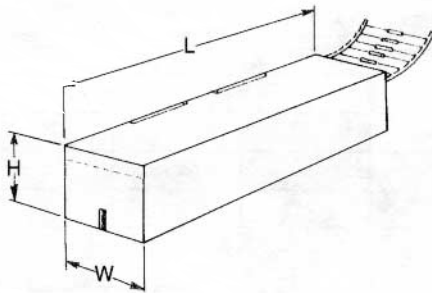
Lead Tape Packaging

(Applicable document EIA RS-296)

Features

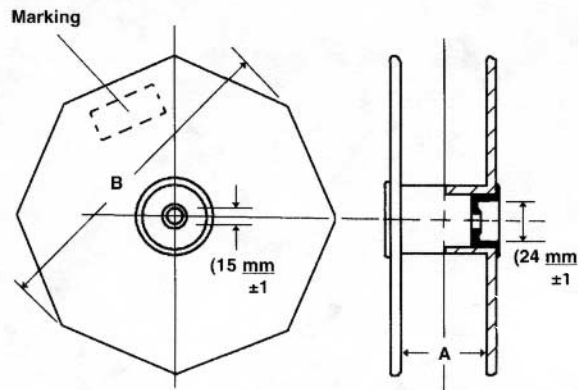
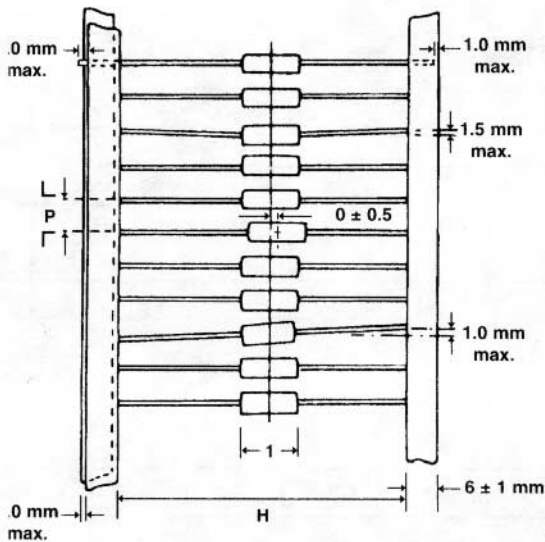
- Precise dimensions, uniform spacing
- Automatic mounting on PCB possible
- Preparation for PC mounting simplified due to uniform lead spacing

Tape in box



TYPE	PCS per box	DIMENSION (mm)		
		L	W	H
1/8W	1,000	260 ± 5	80 ± 2	25 ± 2
1/4W	1,000	260 ± 5	80 ± 2	25 ± 2
1/2W	1,000	270 ± 5	75 ± 2	48 ± 2
1W	1,000	277 ± 5	104 ± 2	83 ± 2
2W	1,000	265 ± 5	110 ± 2	85 ± 2

Tape on Reel

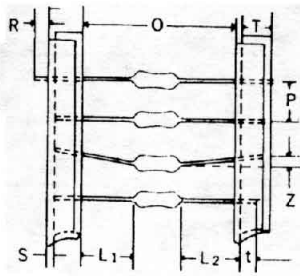


Type	Reel Packaging				
	Dimensions (mm)				
	Across Flange	Across Points	Resistor Spacing	Tape Spacing	Quantity per Reel
	A	B	P	H	
1/8W	72 max	310 max	5 ± 0.4	52 ± 2.0	5000
1/4W	72 max	310 max	5 ± 0.4	52 ± 2.0	5000
1/2W	72 max	310 max	5 ± 0.4	52 ± 2.0	2500
1W	86 max	295 max	10 ± 0.4	74 ± 2.0	2000 or 2500
2W	95 max	295 max	10 ± 0.4	76 ± 2.0	1000



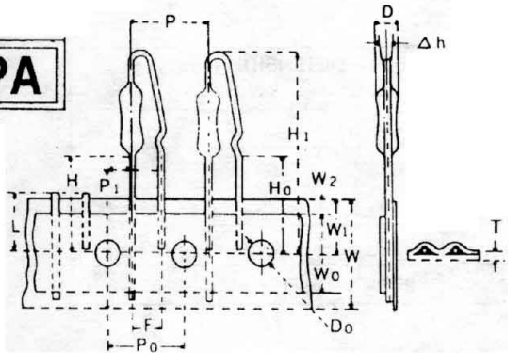
LEADFREE
RoHS Compliant

T



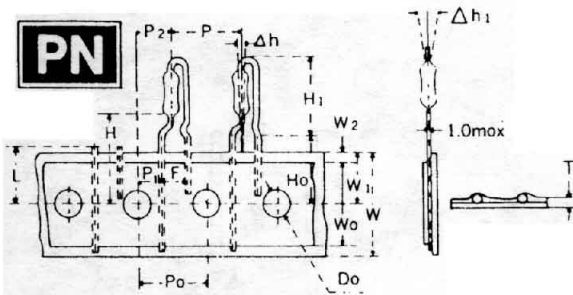
Style	DIMENSIONS : mm							
	O	P	L1-L2	T	Z	R	t	S
T26	26±1	5±0.4	1 max	6±0.5	1 max	0	4min	0.5max
T52	52±2	5±0.4	1 max	6±0.5	1 max	0	4min	0.5max
T74	74±2	10±0.4	1.2 max	6±0.5	1 max	10	4min	0.5max

PA



DIMENSIONS : mm					
P	12.7±1.0	W	18.0 ^{-1.0} _{0.5}	H O	16.0±0.5
P O	12.7±0.3	W O	12.5 min	H1	25.0 max
P1	3.85±0.7	W 1	9.0±0.5	D O	4.0±0.3
F	5.0±0.5	W 2	2.75 max	t	0.7±0.2
#1	0±2.0	H	16.0±0.5	L	11.0 max

PN



DIMENSIONS : mm					
P	12.7±1.0	#h1	0±0.5	H O	16.0±0.5
P O	12.7±0.3	W	18.0 ^{+1.0} _{-0.5}	H1	12.0 max
P1	3.85±0.7	W 0	12.5 min	D O	4.0±0.3
P2	6.35±1.0	W 1	9.0±0.5	t	0.7±0.2
F	5.0±0.5	W 2	2.75 max	L	11.0 max
#1	0±2.0	H	20.0±0.5		

TYPE	T26	T52	T74	PA	PN
CR 1/8W	•	•			
CR 1/6W	•	•			
CR 1/4W	•	•		•	•
CR 1/3W		•			
CR 1/2W		•			
CR 1W			•		
CR 2W			•		
FPC 1/4W		•		•	•
FPC 1/2W		•			

TYPE	T26	T52	T74	PA	PN
RN 1/8W	•	•			
RN 1/4W	•	•		•	•
RN 1/2W		•			
RN 1W			•		
FMF 1/4W	•	•		•	•
FMF 1/2W		•			
RSF 1W			•		
RSF 2W			•		
FR		•		•	•